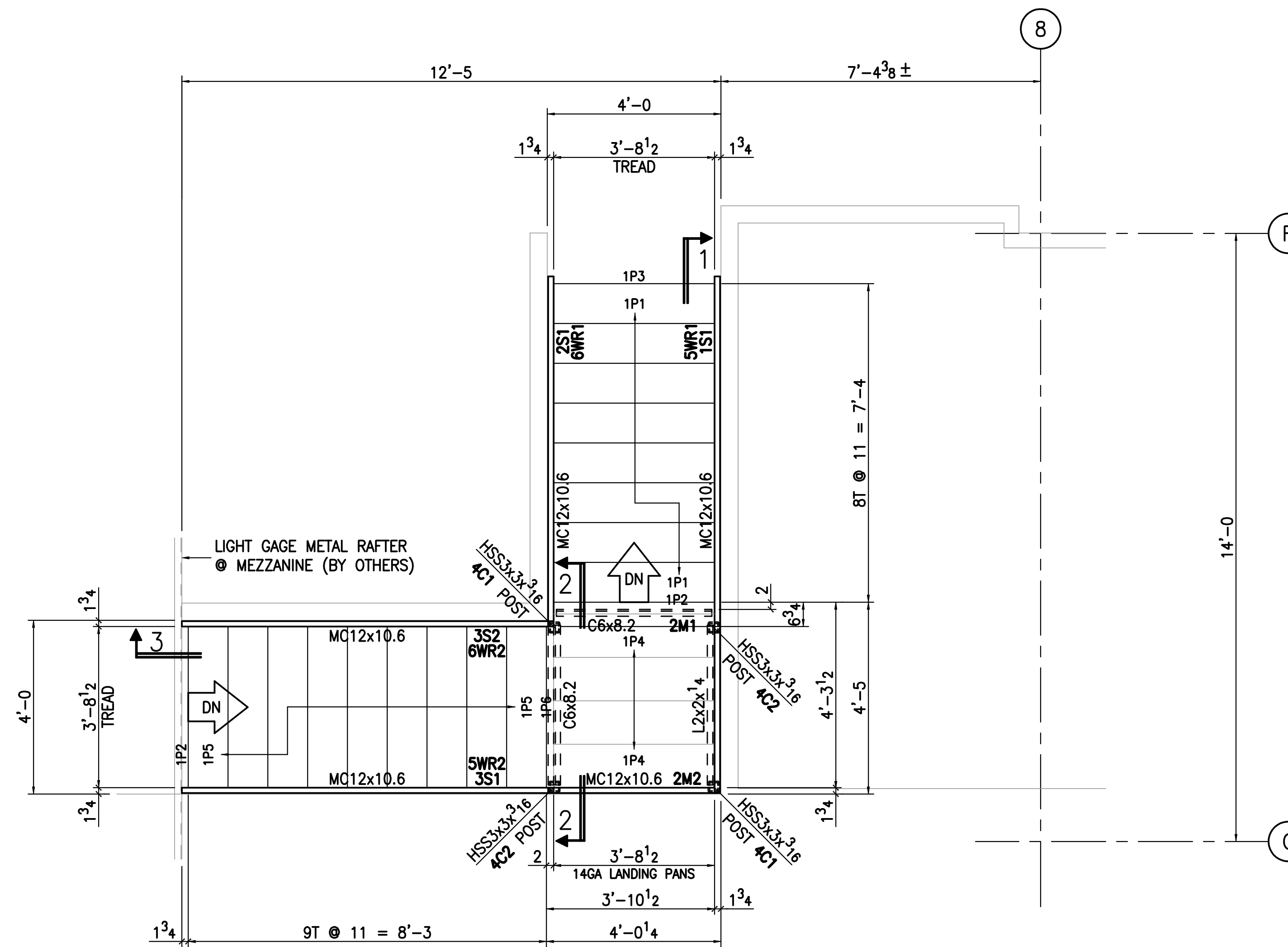
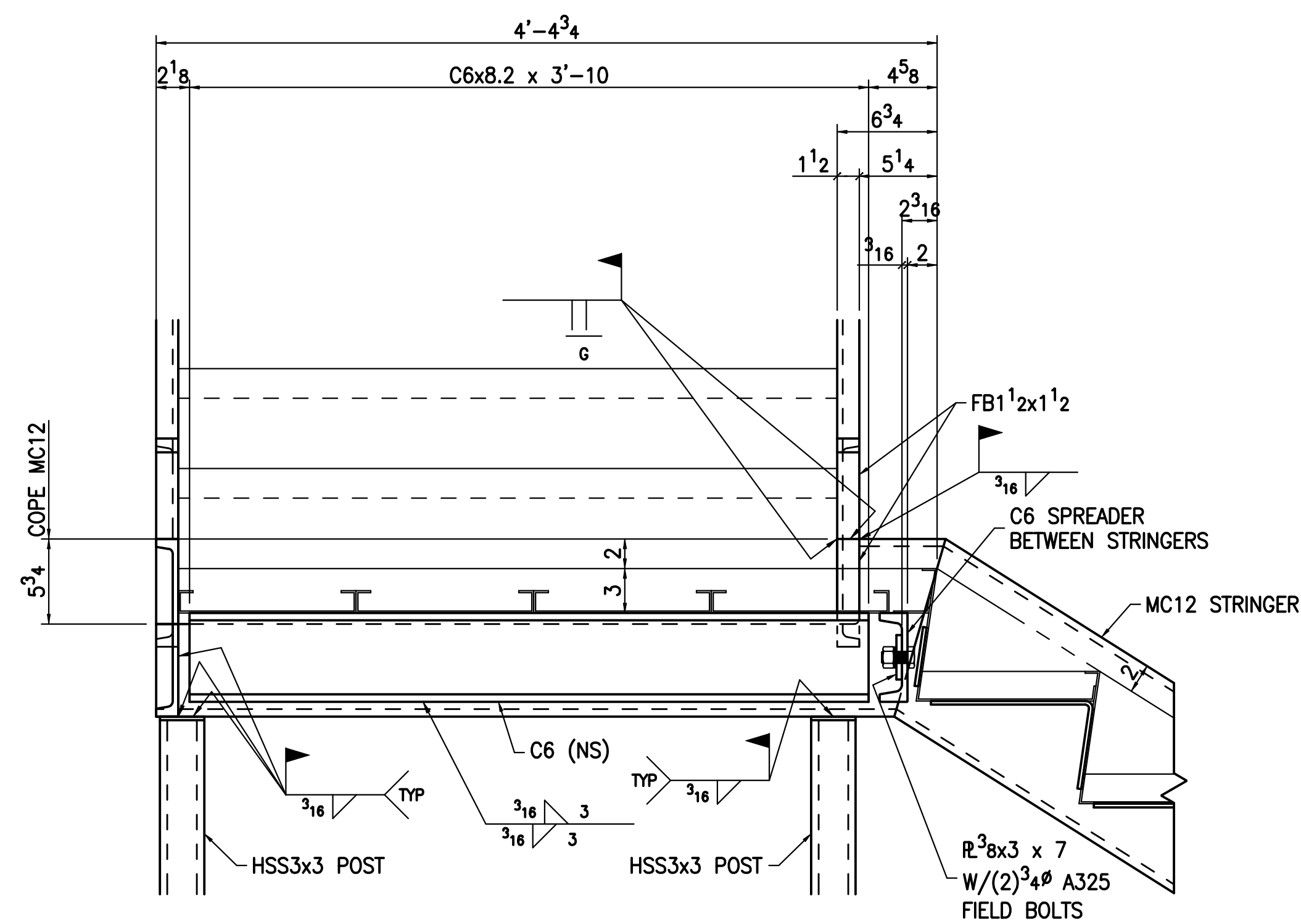


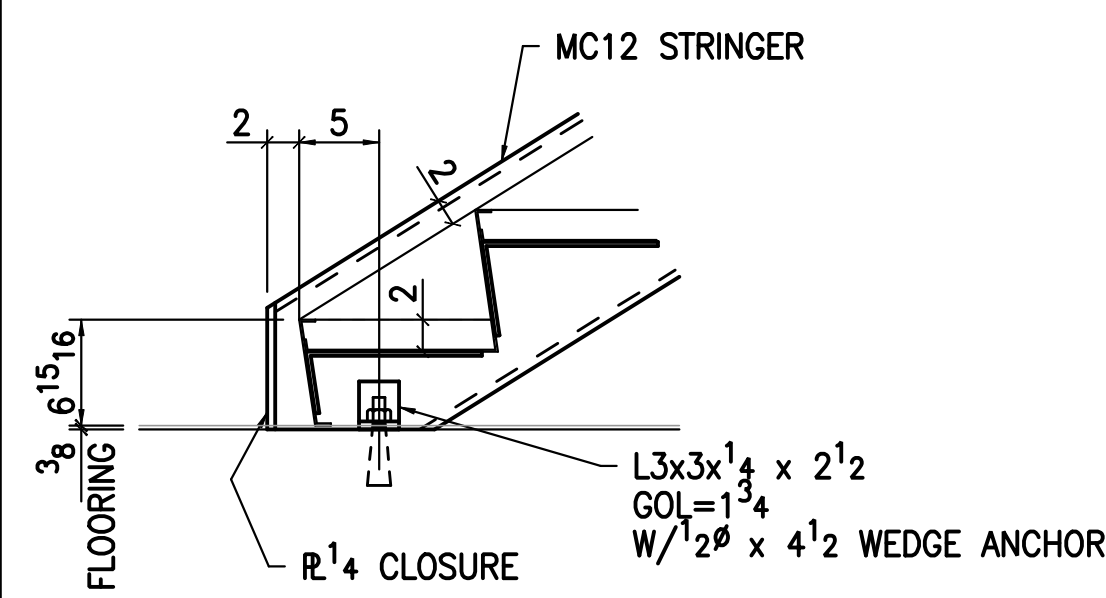
POST LOCATIONS @ FIRST FLOOR



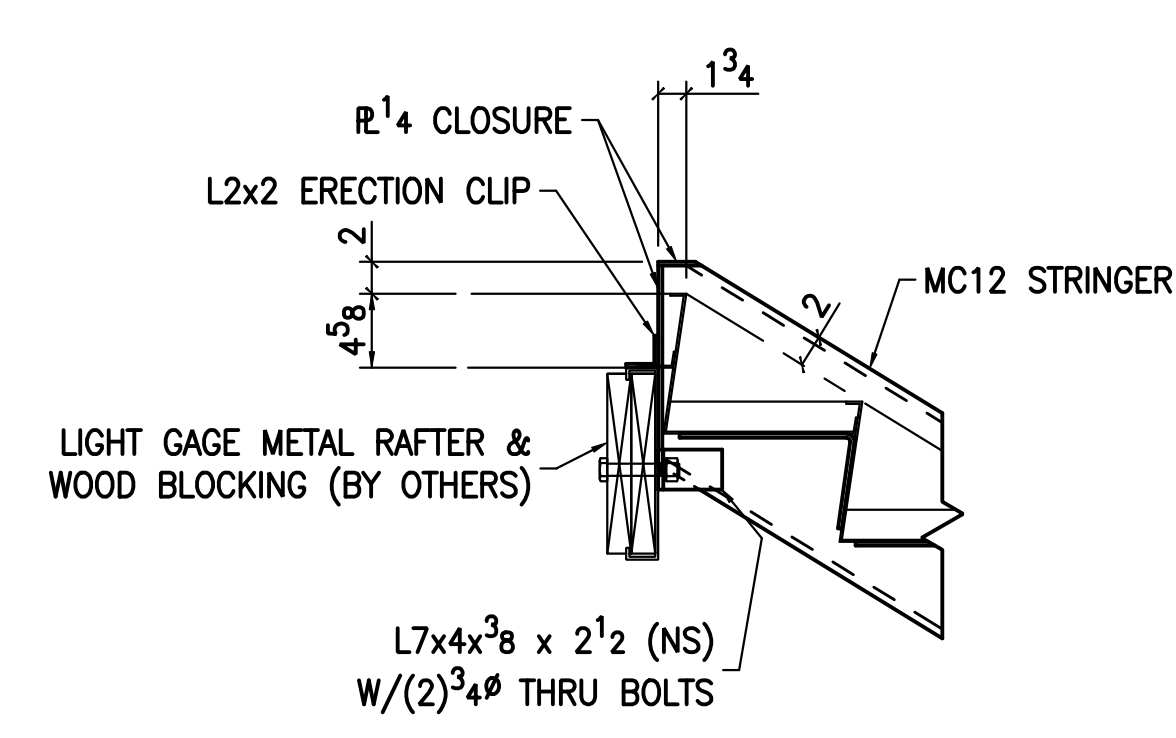
STAIR PLAN @ MEZZANINE



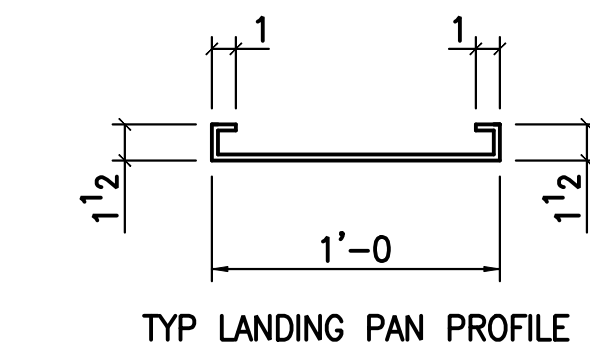
SECT. 2-2



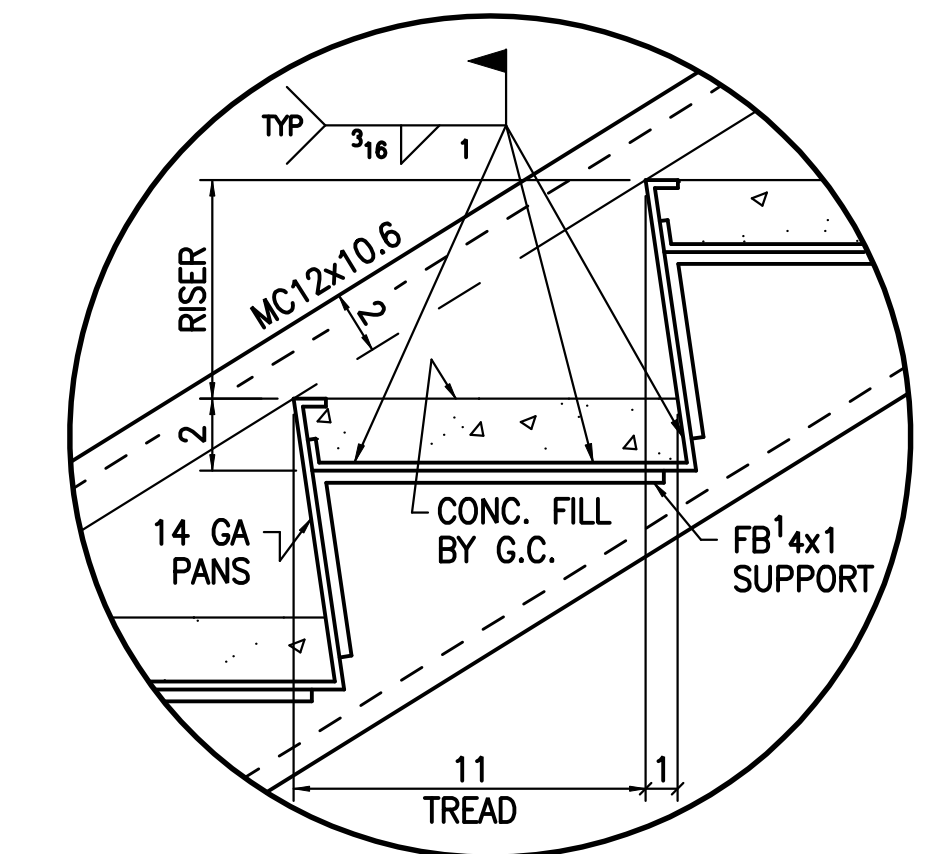
SECT. 1



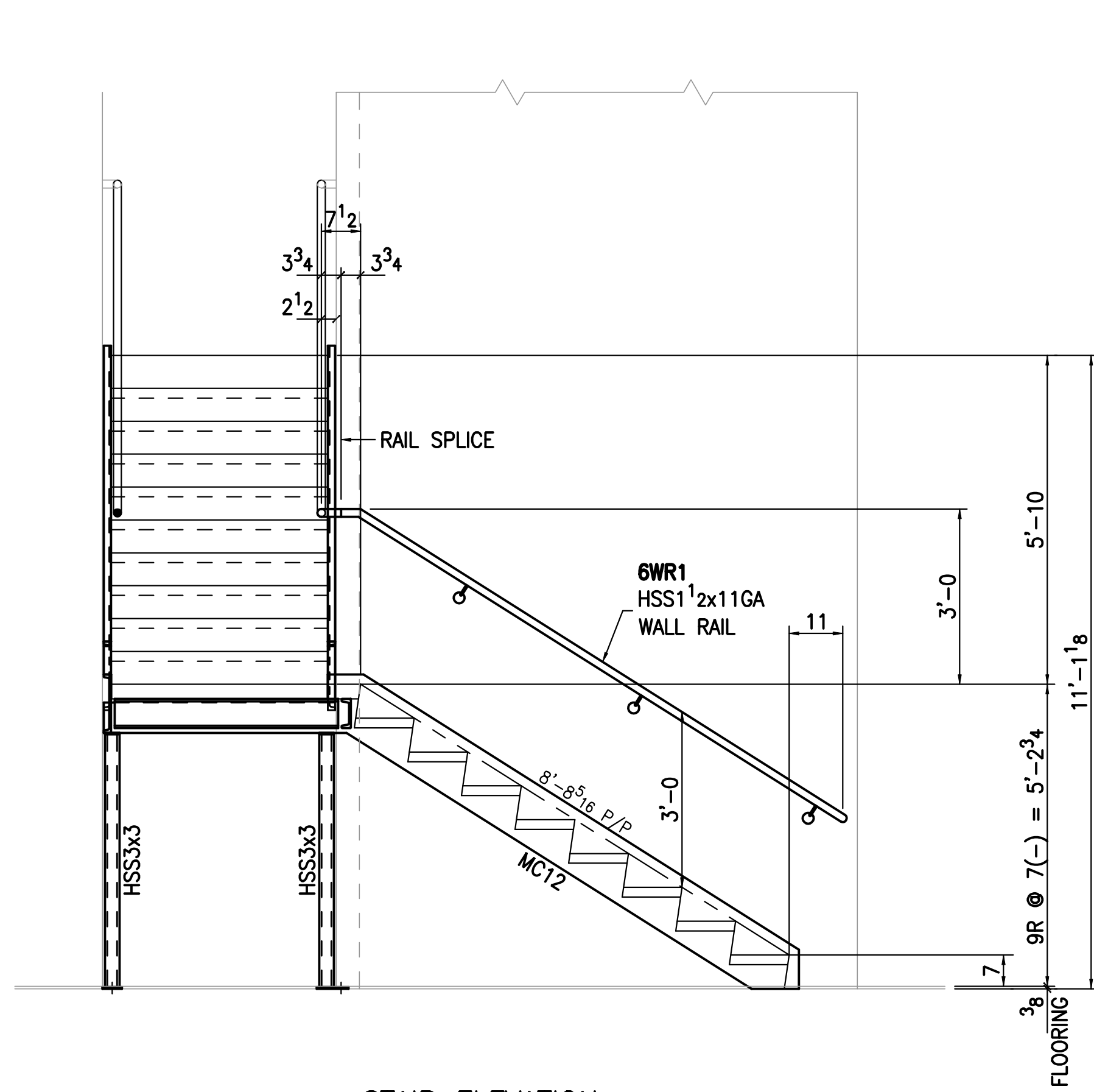
SECT. 3



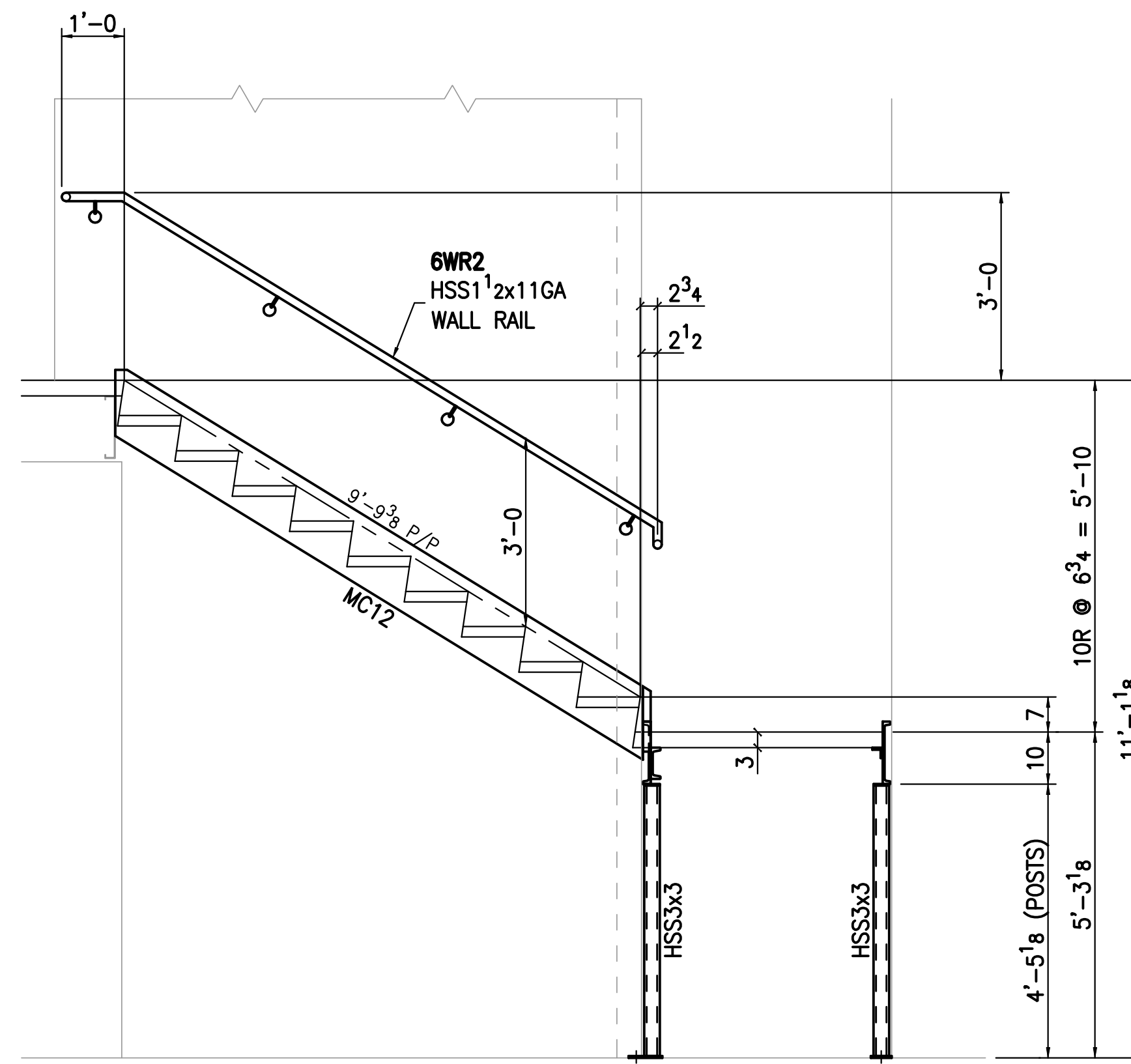
TYPICAL LANDING PAN DETAILS
14GA PANS 0'-0 TO 4'-0 SPAN
12GA PANS 4'-0 TO 6'-0 SPAN
10GA PANS 6'-0 TO 8'-0 SPAN



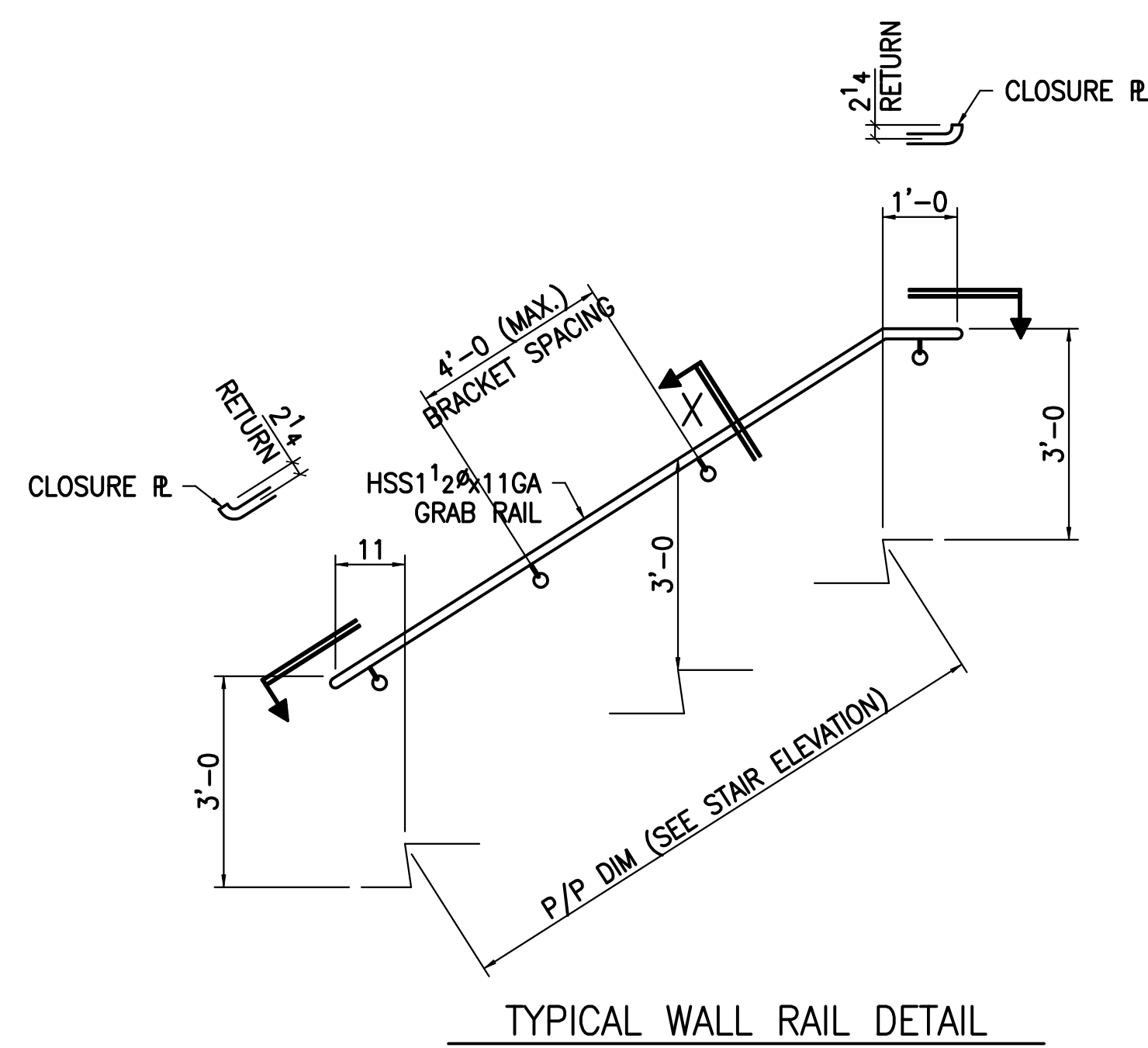
TYP TREAD & RISER DETAIL



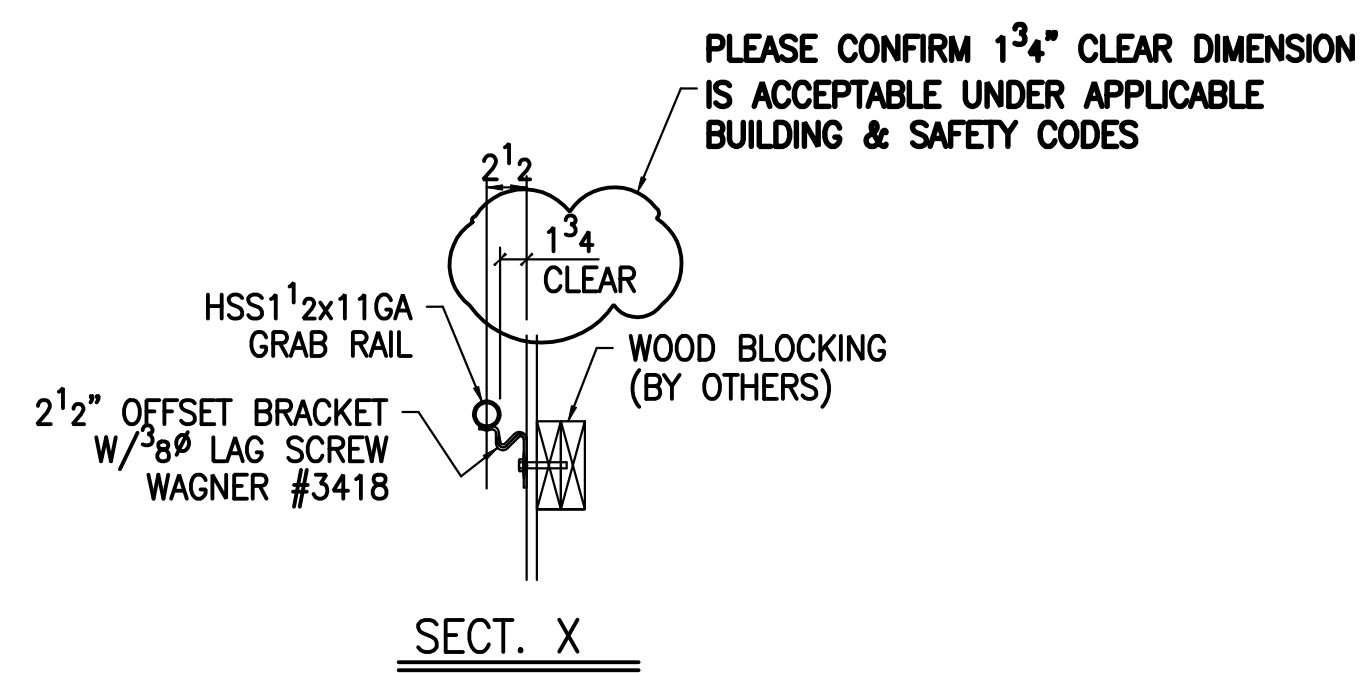
STAIR ELEVATION



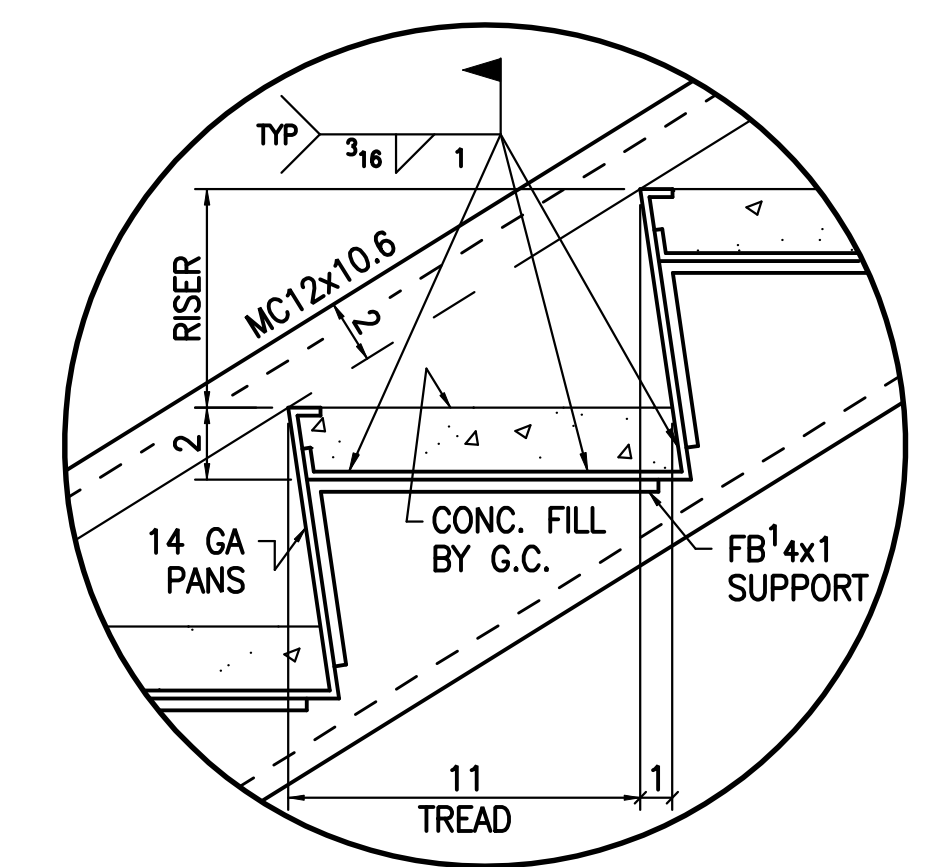
STAIR ELEVATION



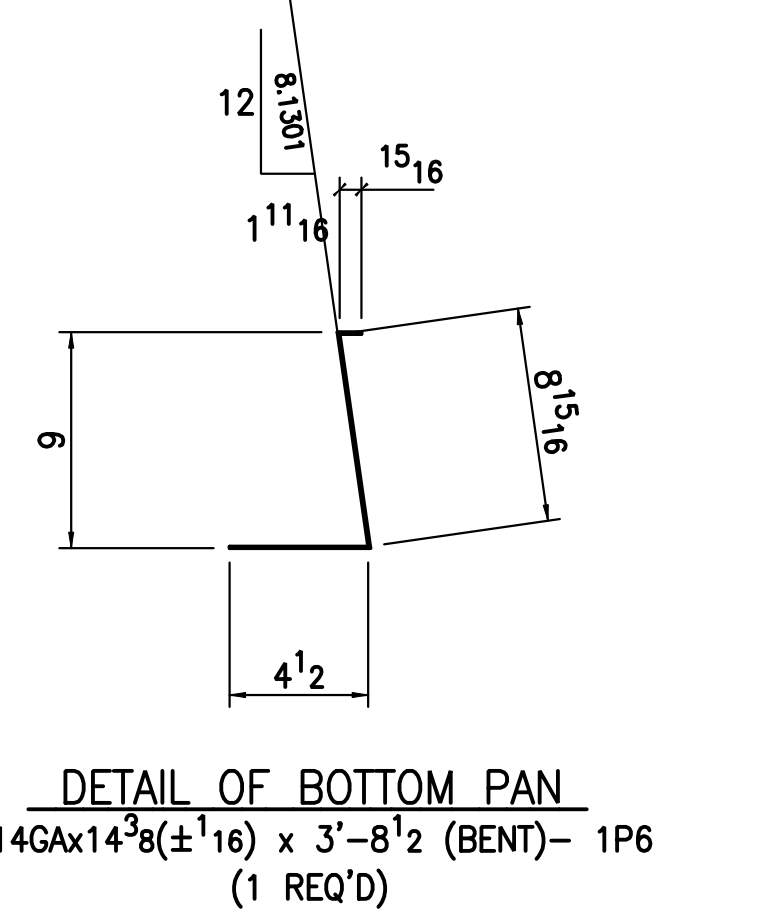
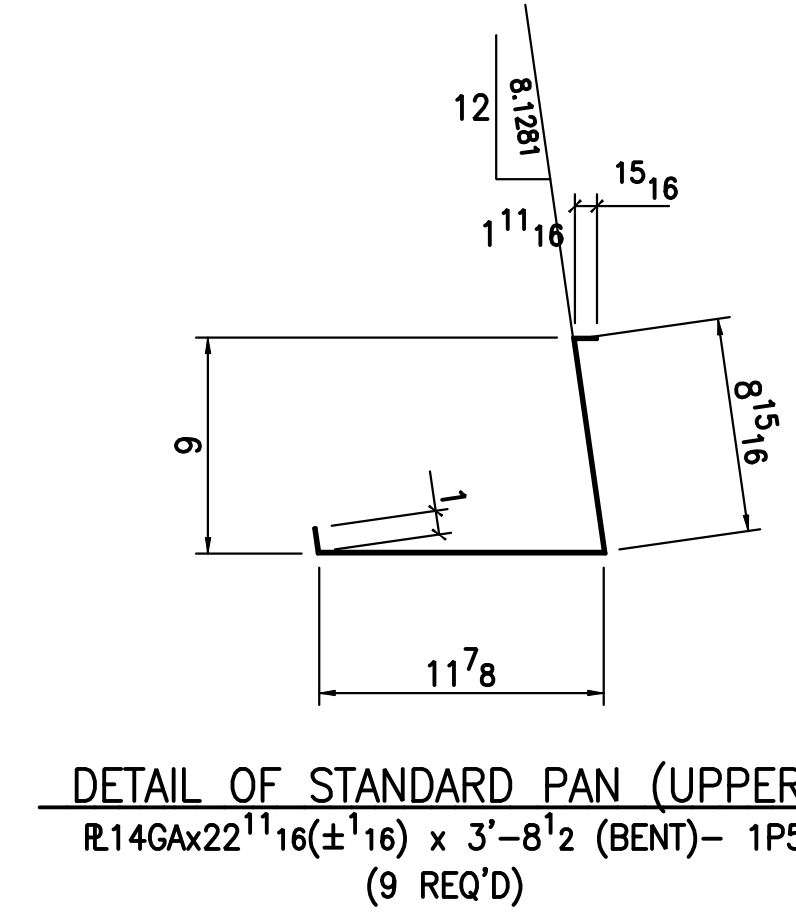
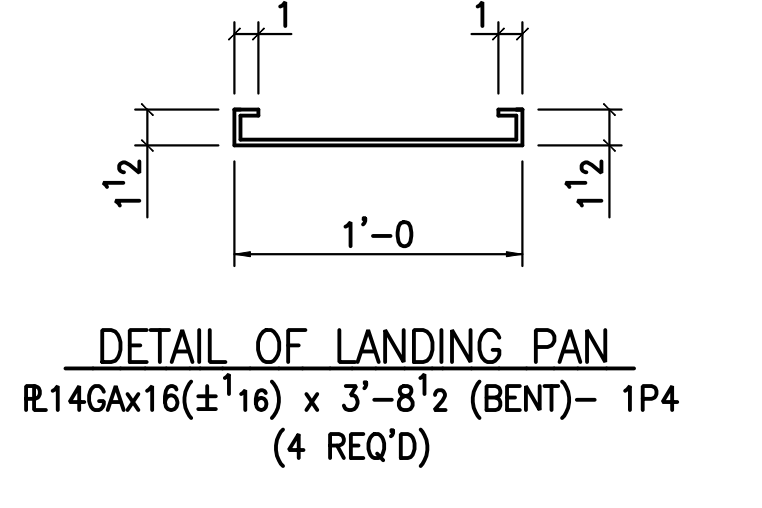
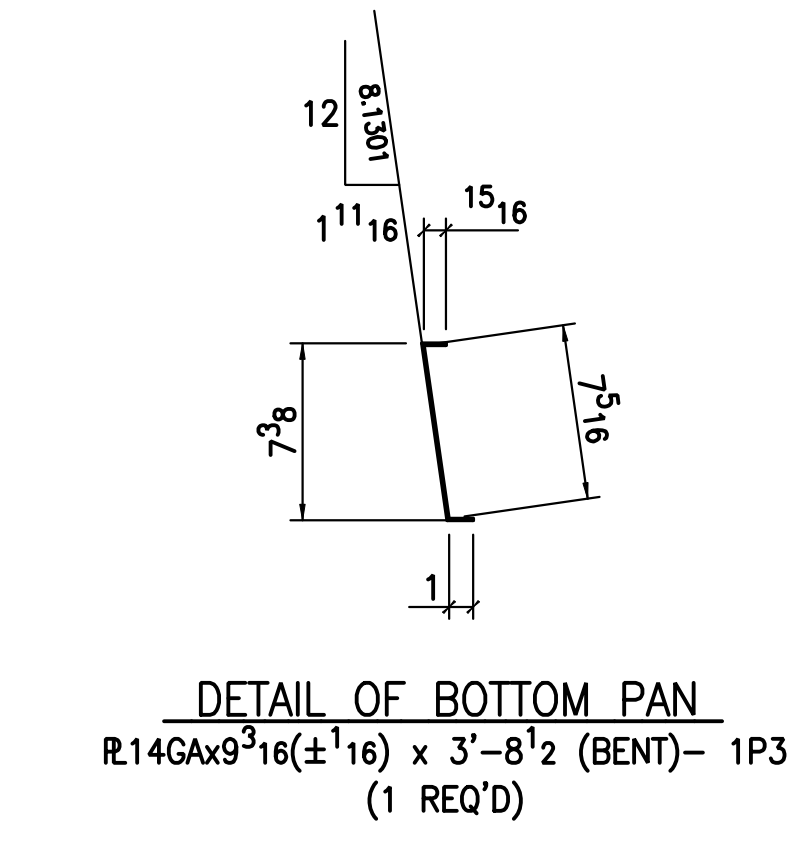
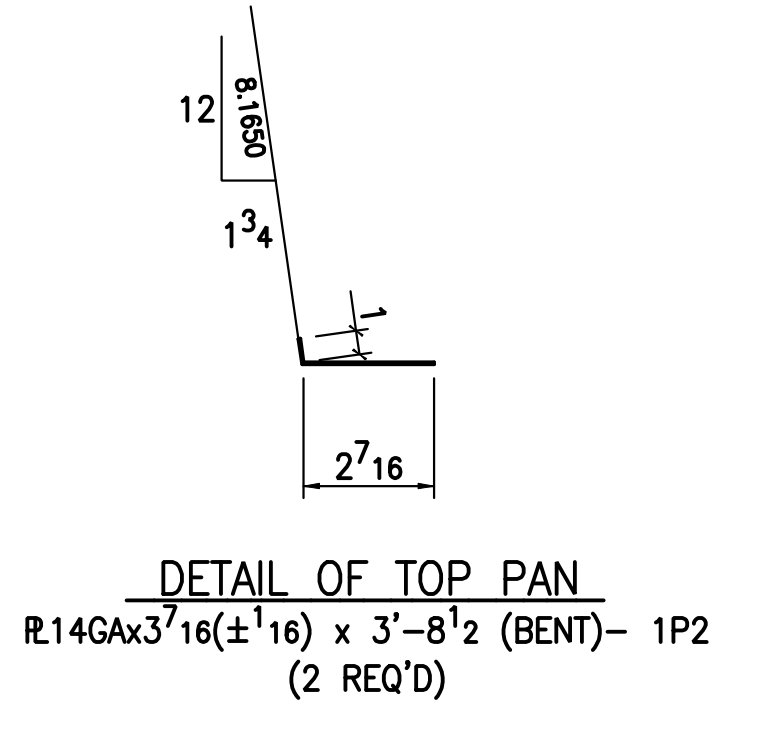
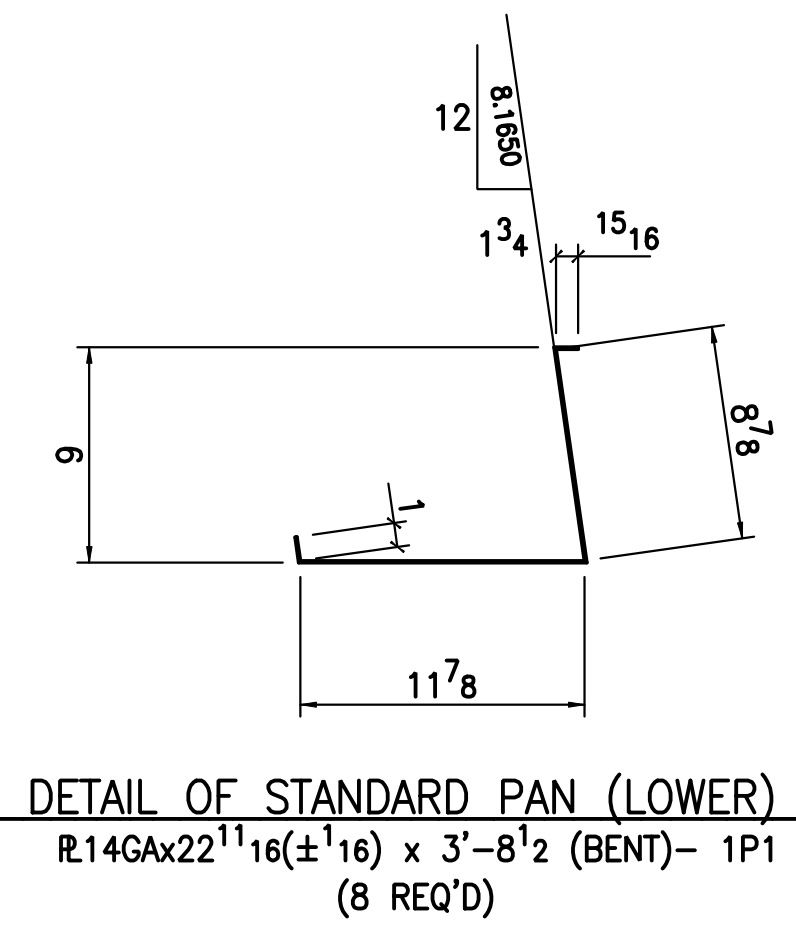
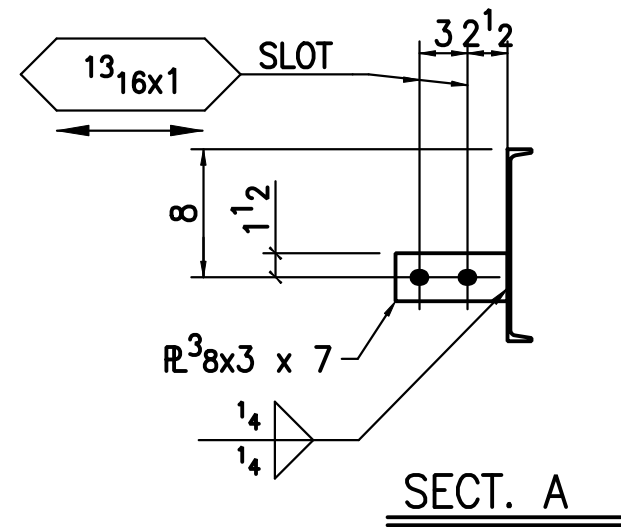
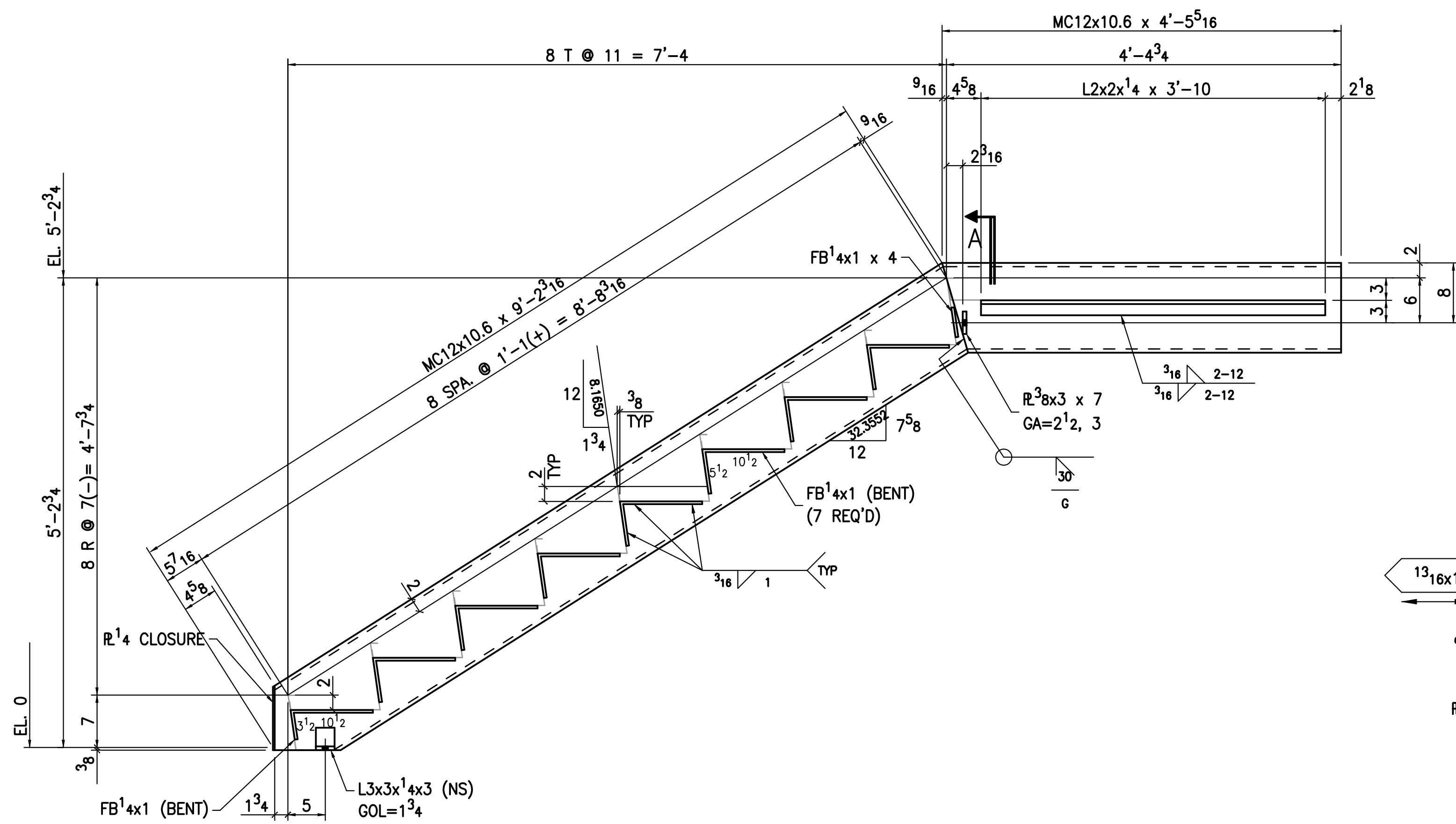
TYPICAL WALL RAIL DETAIL



SECT. X

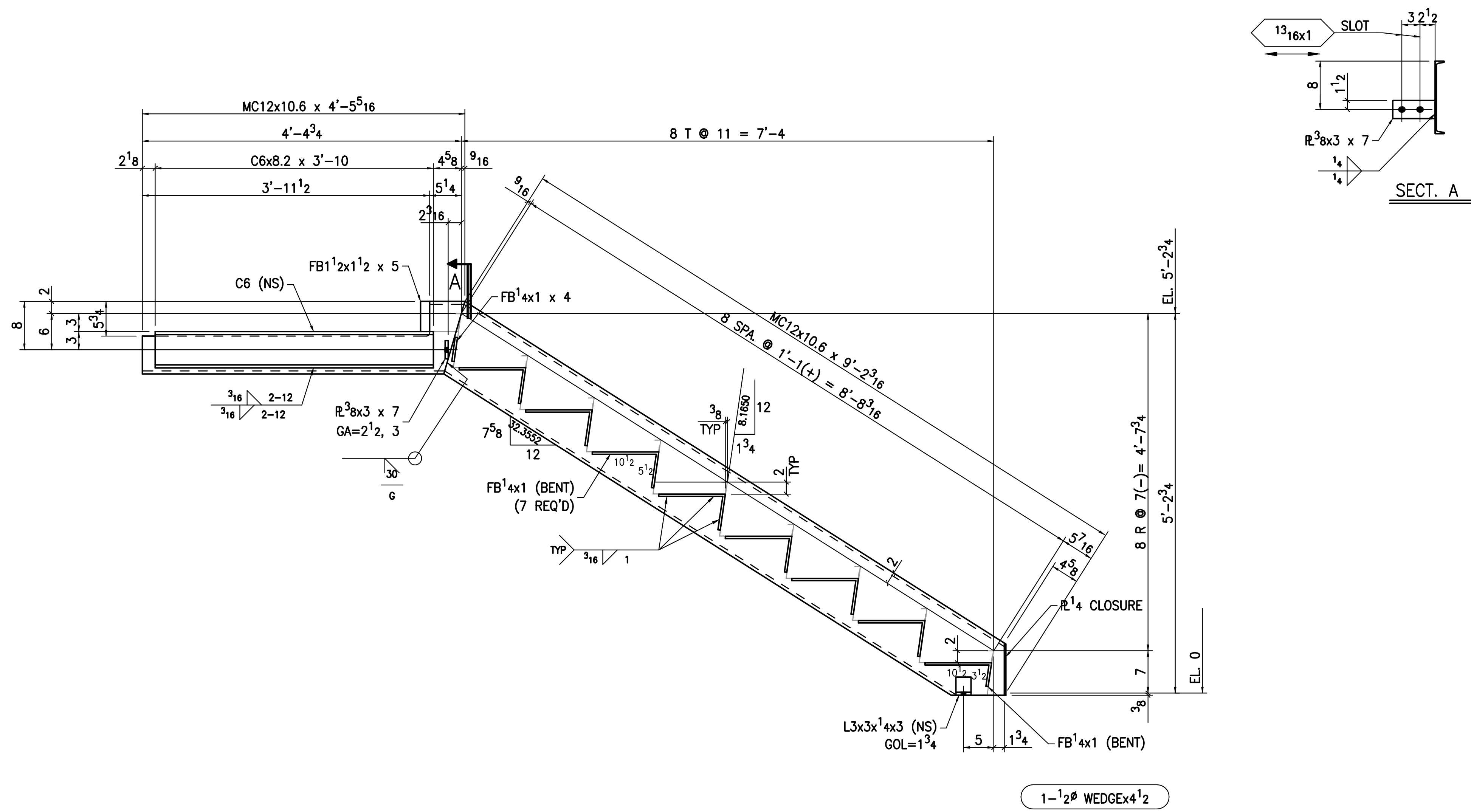


TYP TREAD & RISER DETAIL

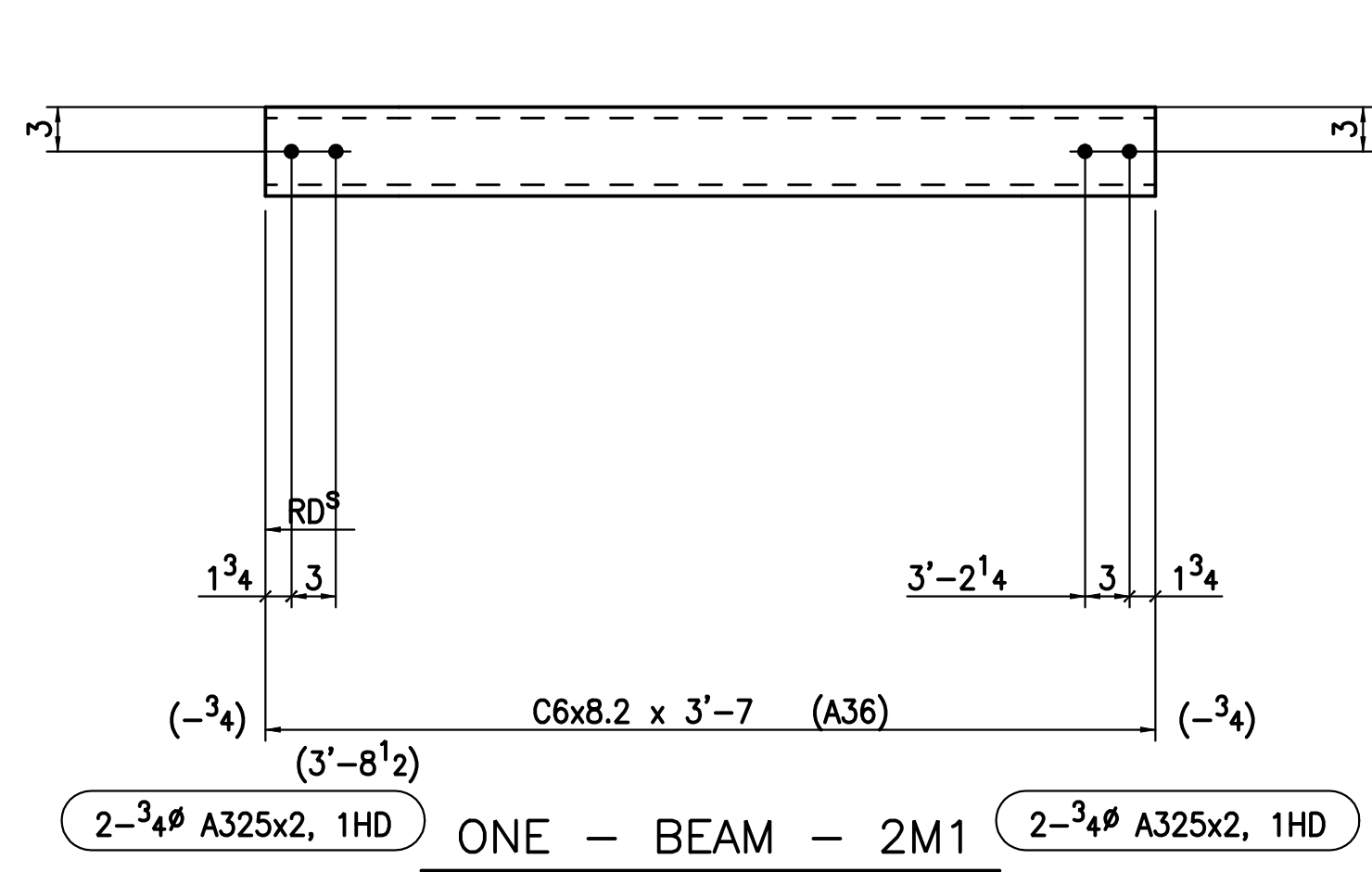


1-1/2" WEDGE x 4 1/2"

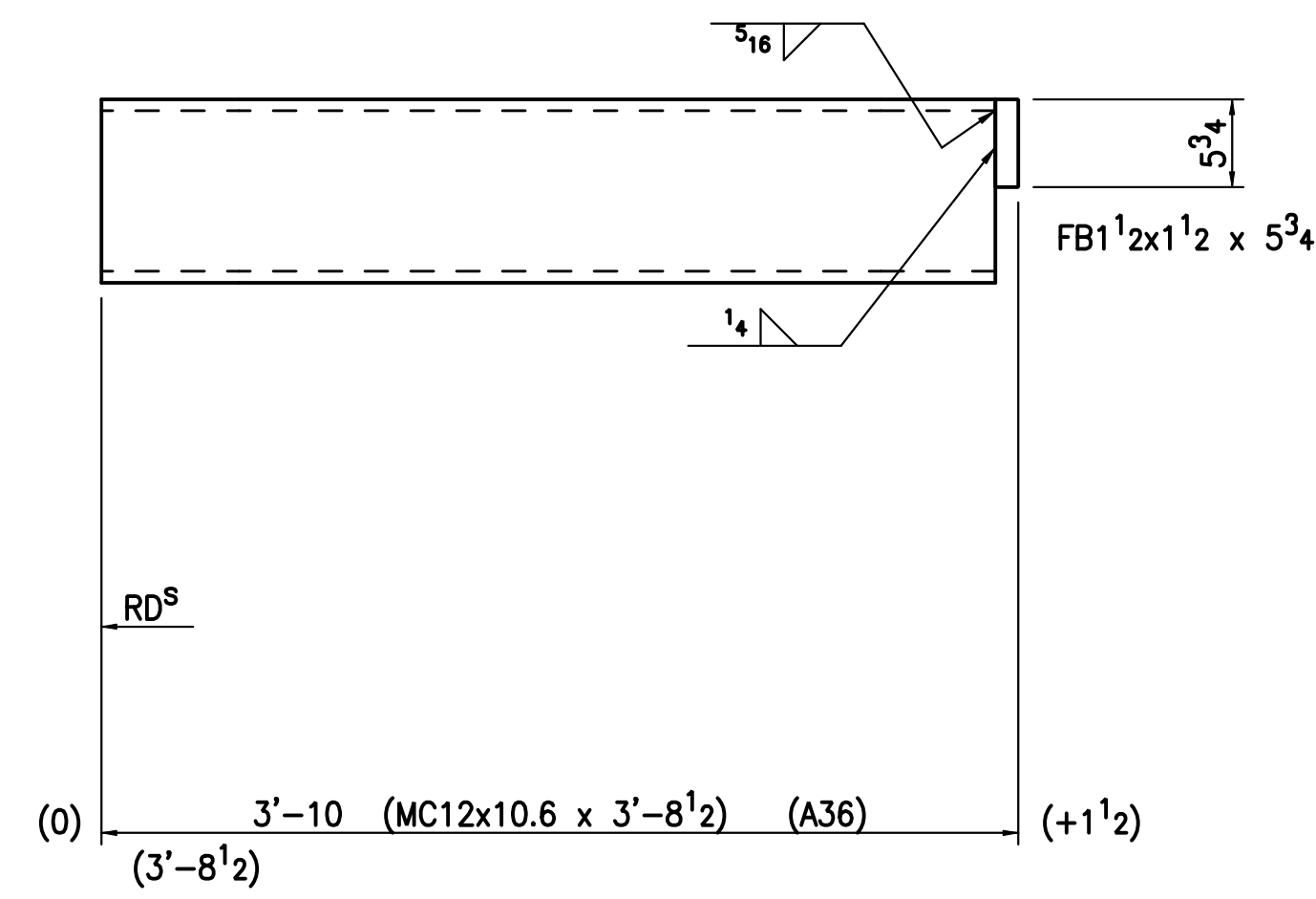
ONE - STAIR - 1S1



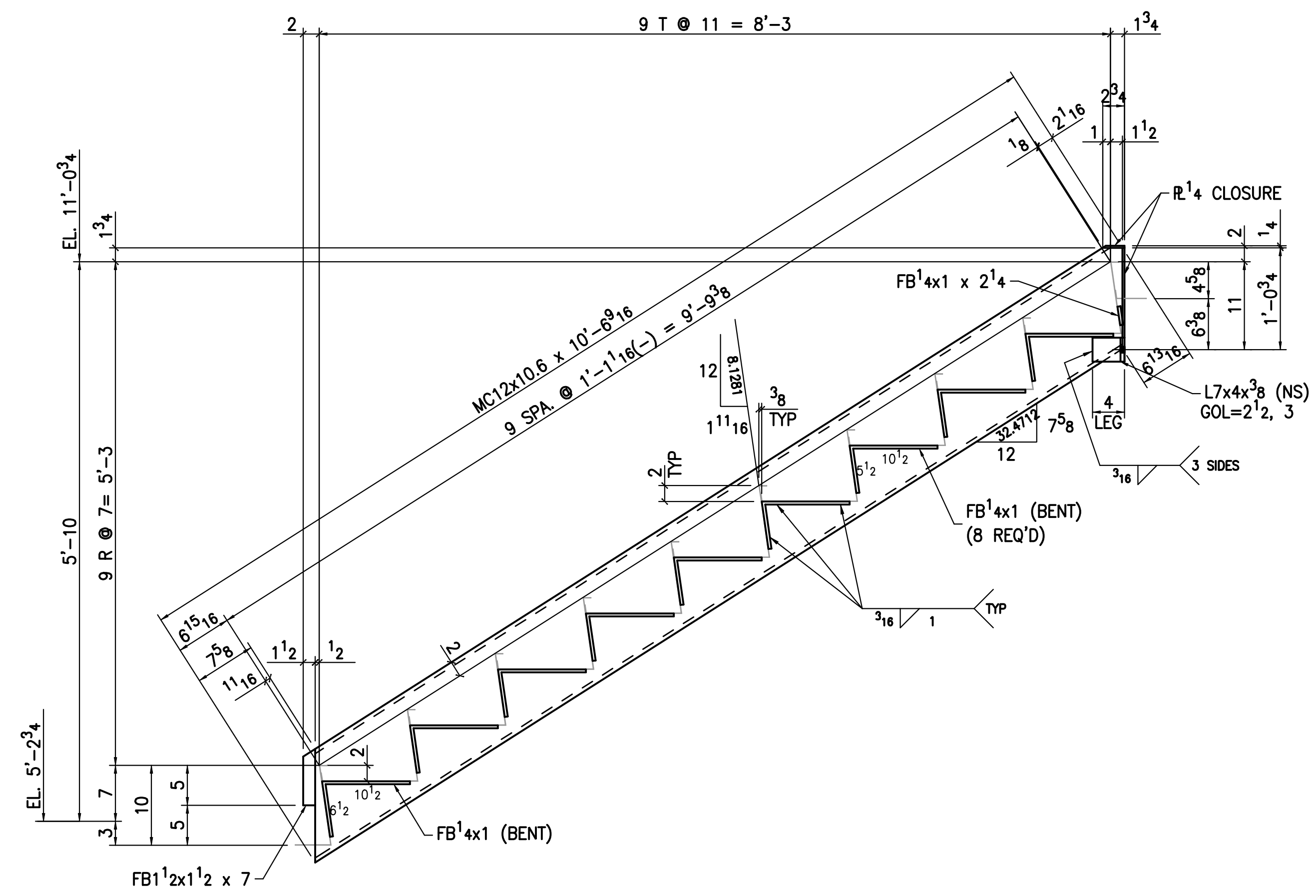
ONE - STAIR - 2S1



ONE - BEAM - 2M1

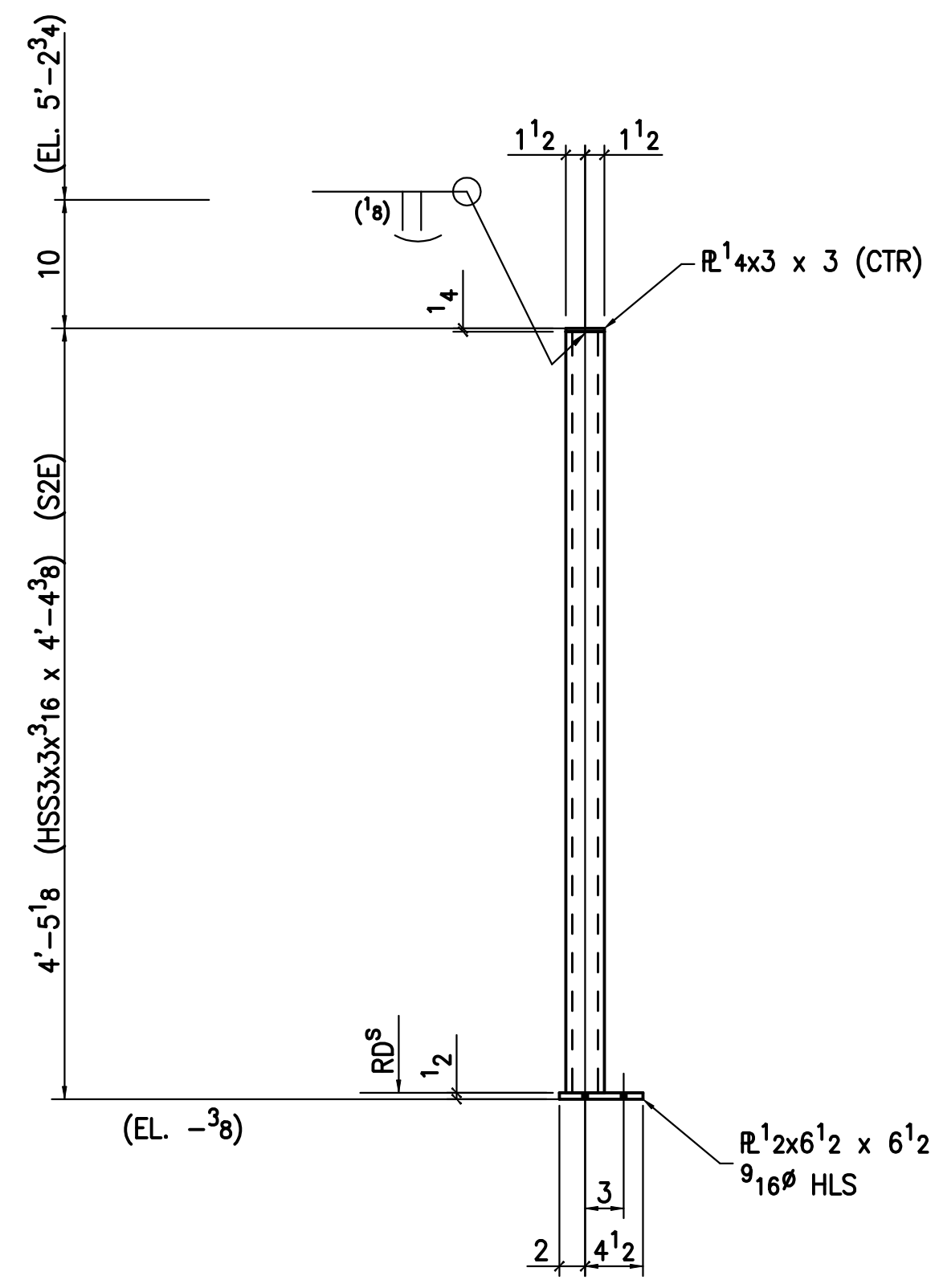


ONE - BEAM - 2M2

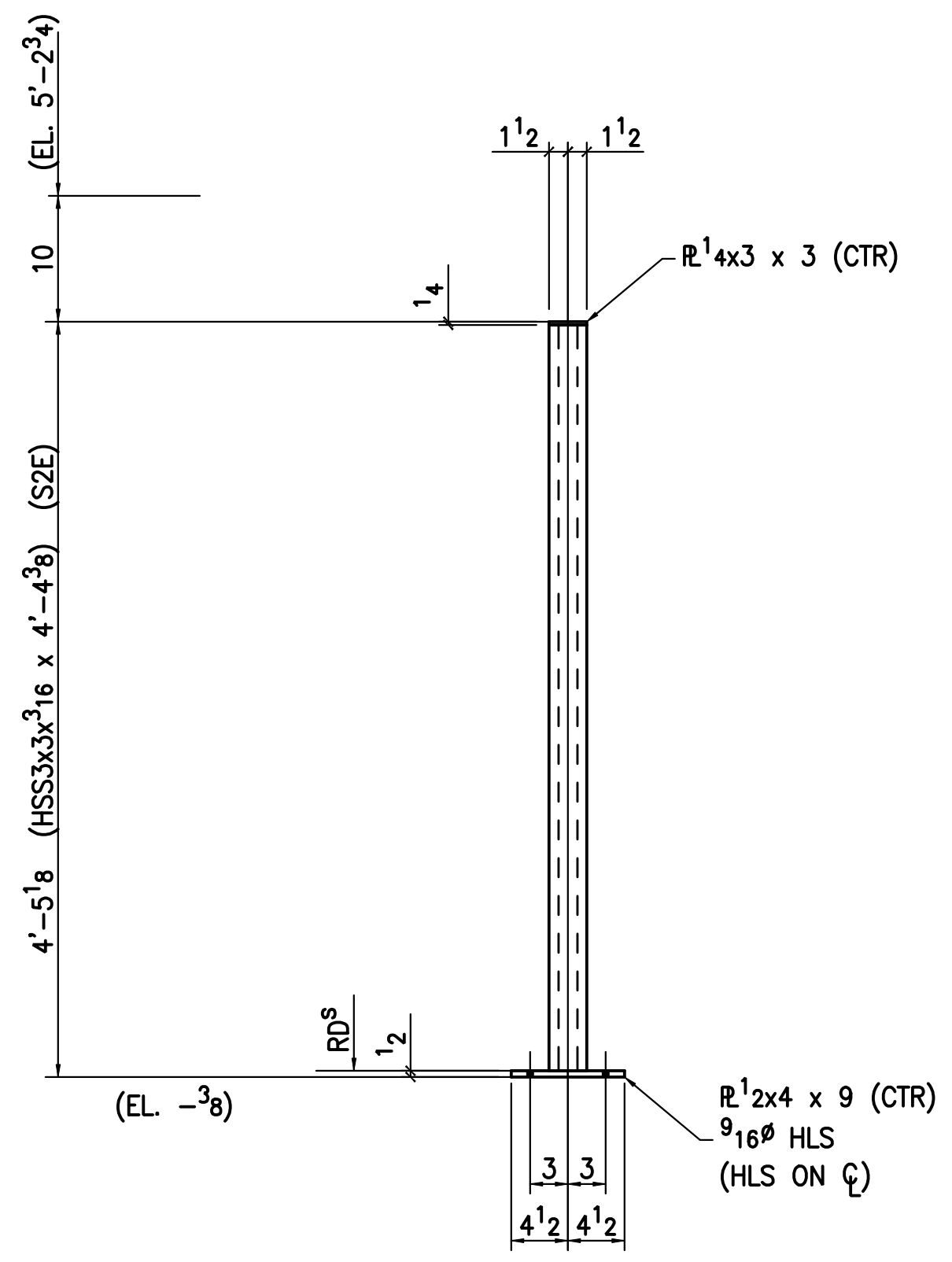
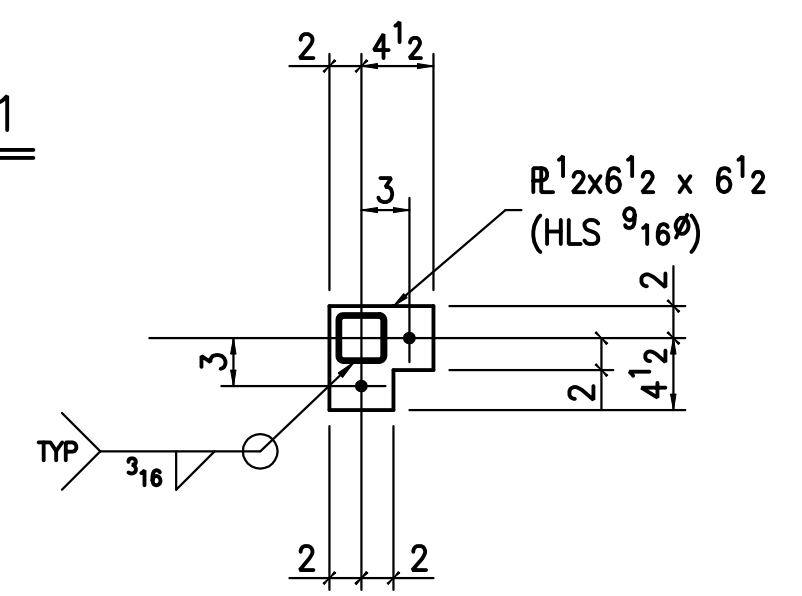


ONE - STAIR - 3S1
 AS DRAWN

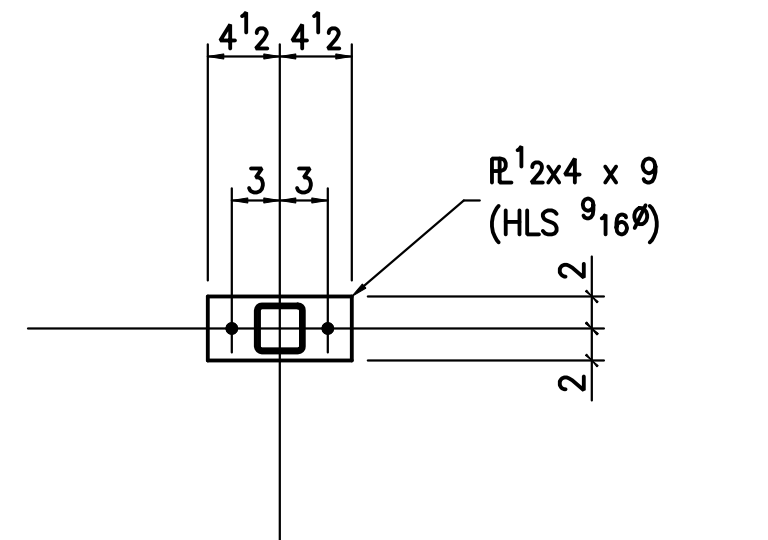
ONE - STAIR - 3S2
 OPP HAND

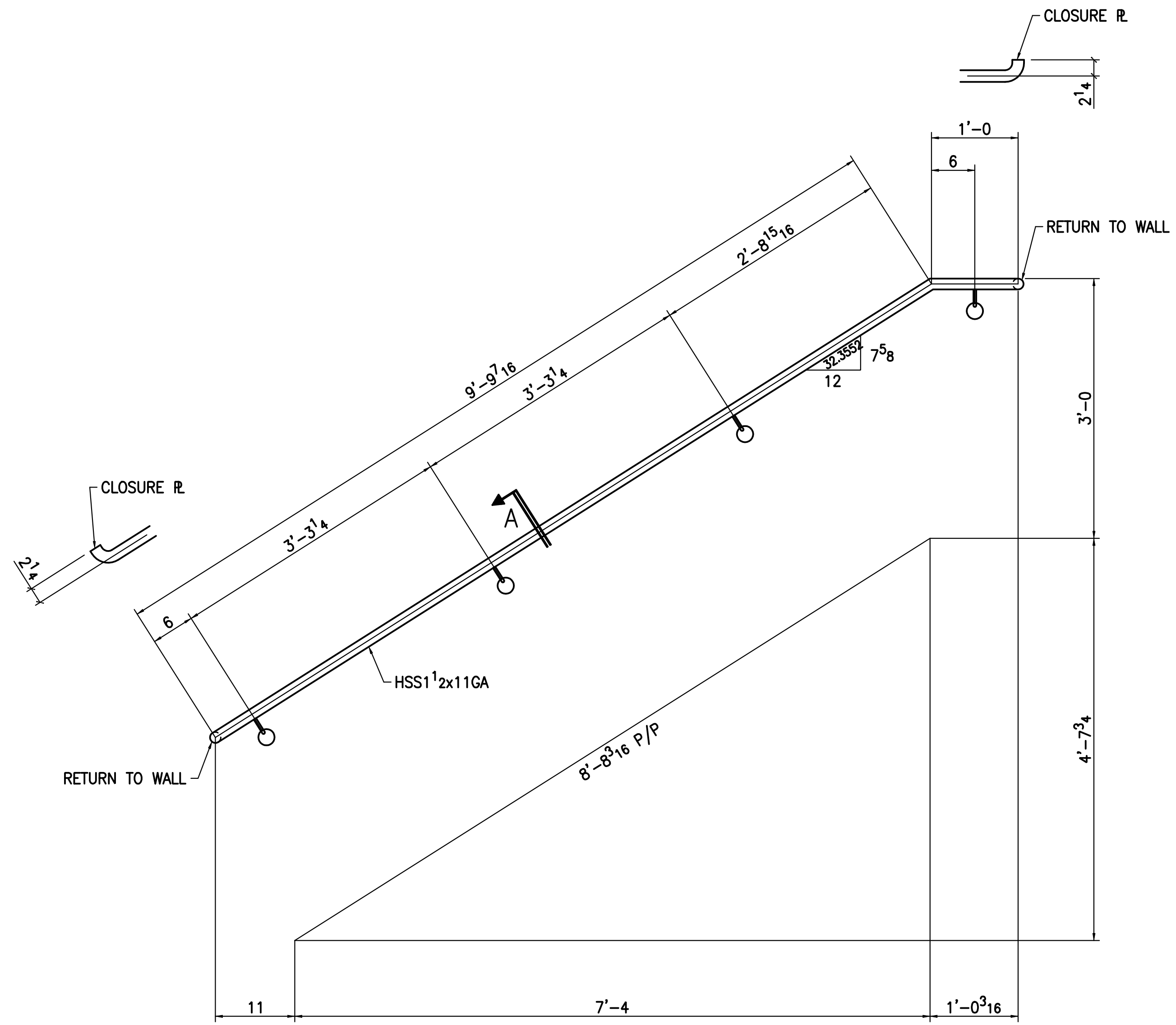


2 - COLUMNS - 4C1



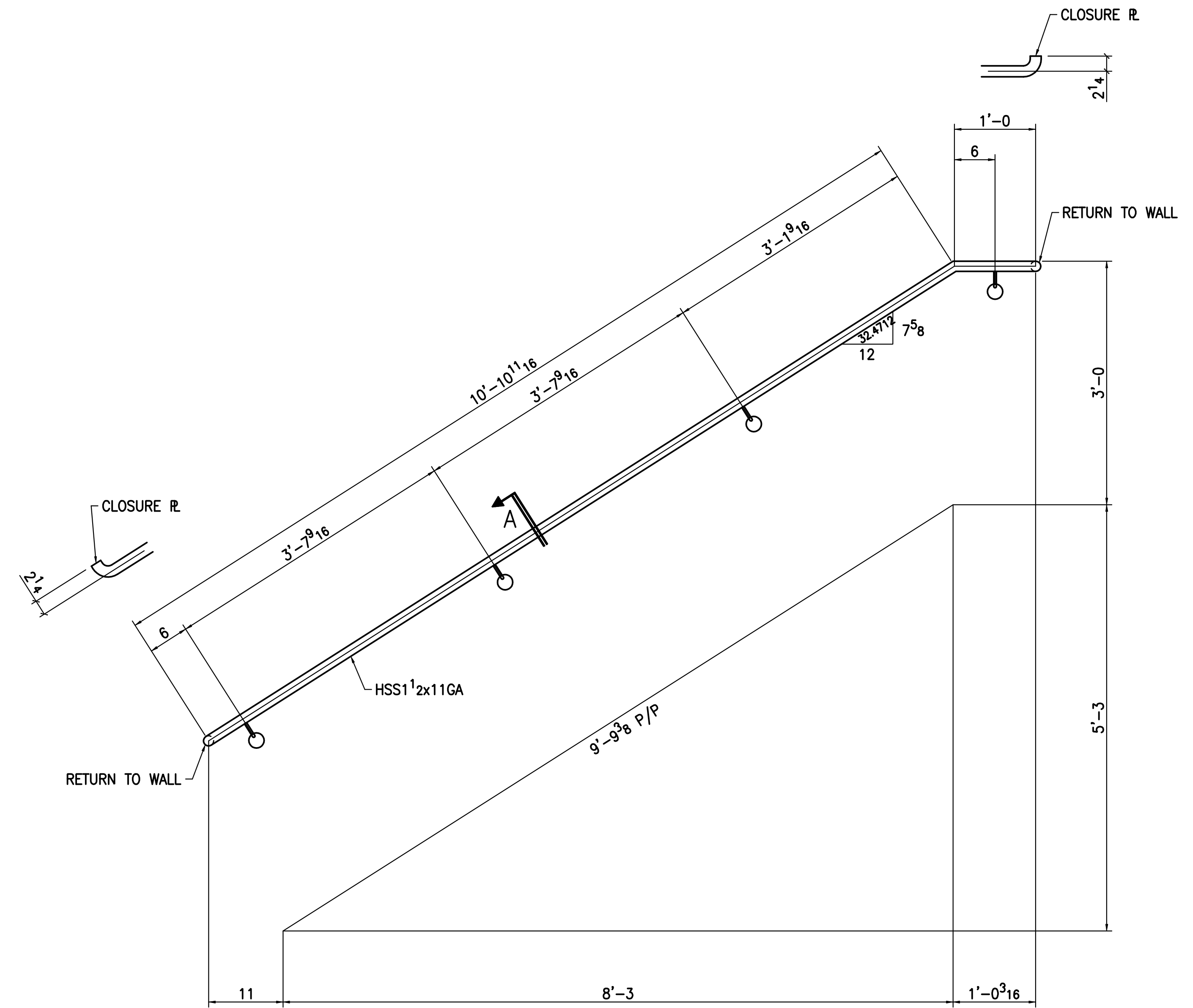
2 - COLUMNS - 4C2





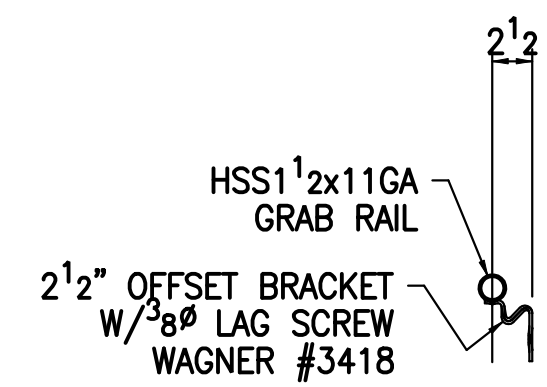
4-3/8" LAGx3

ONE - RAIL - 5WR1

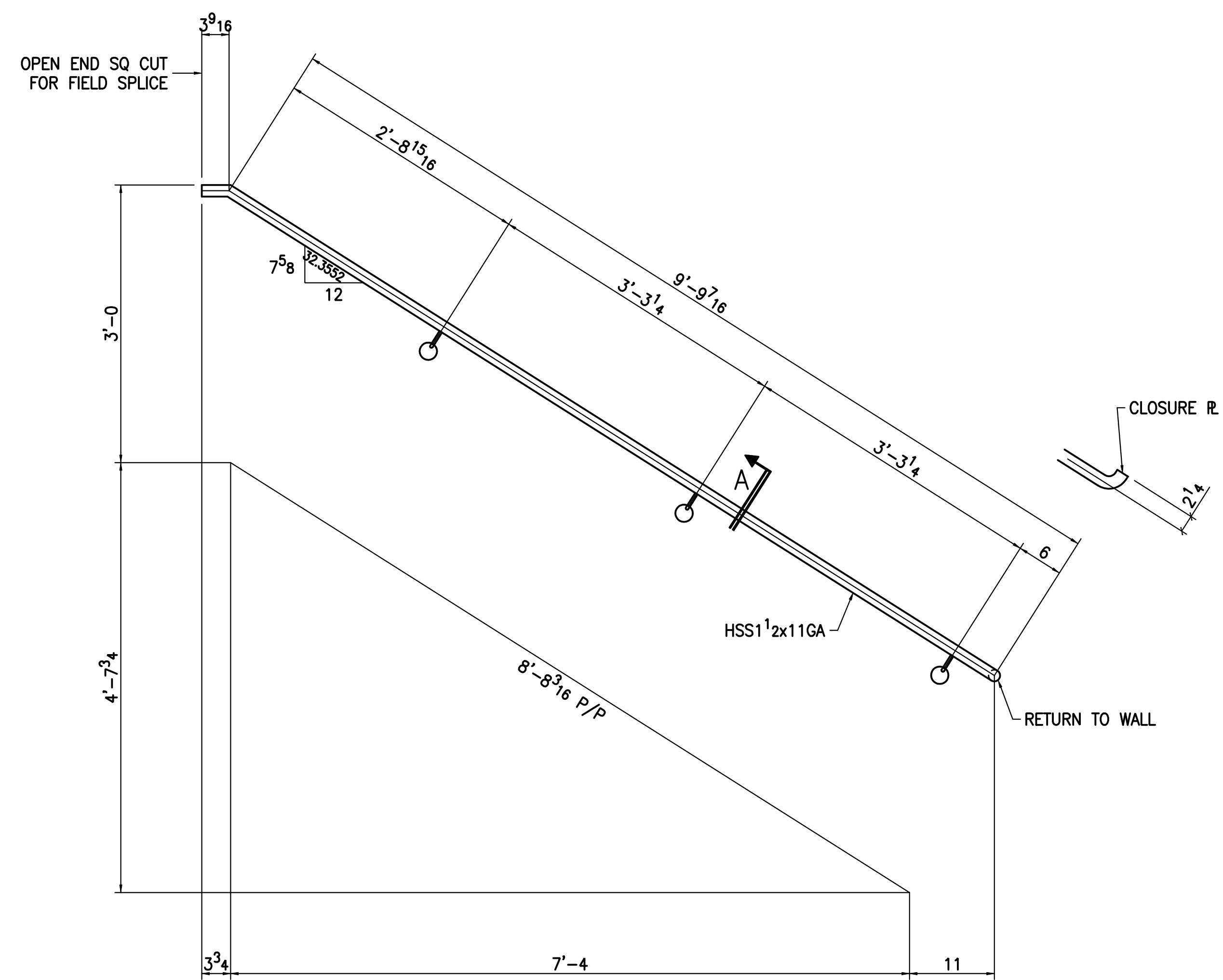


4-3/8" LAGx3

ONE - RAIL - 5WR2

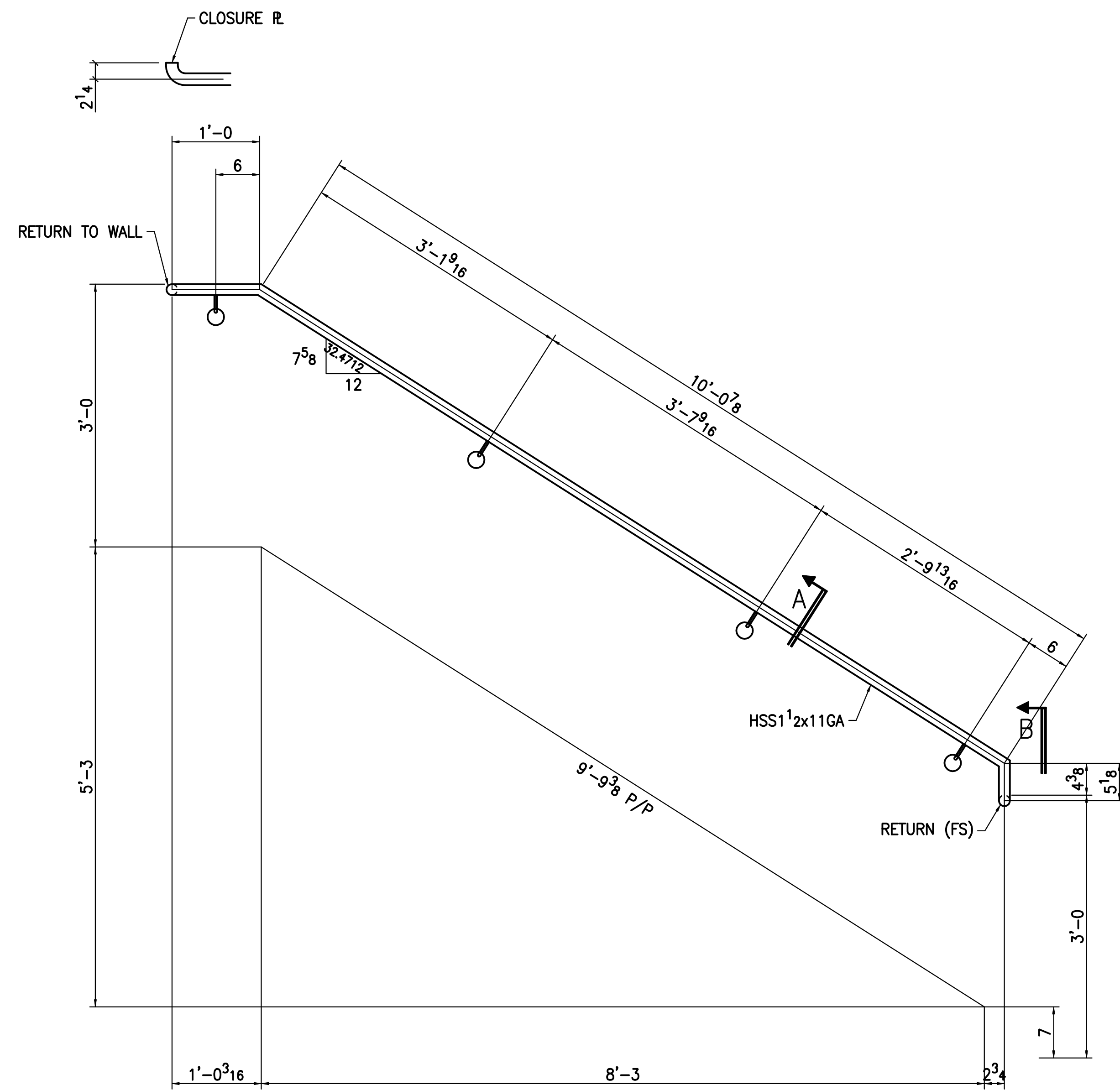


SECT. A



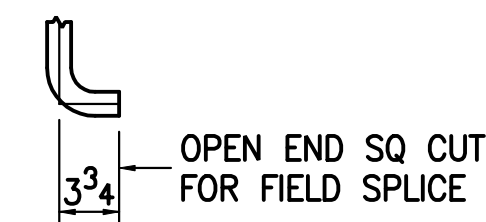
3-3/8" LAGx3

ONE - RAIL - 6WR1

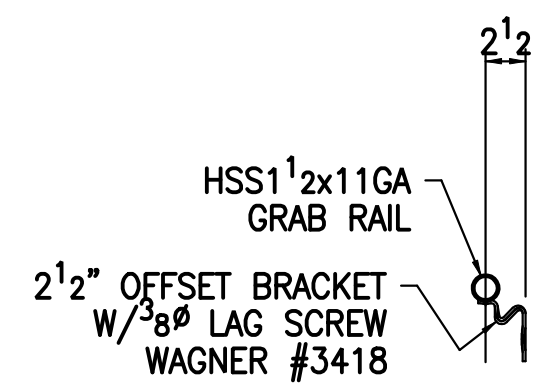


4-3/8" LAGx3

ONE - RAIL - 6WR2



SECT. B



SECT. A